

Interactive  
Comment

## ***Interactive comment on “Socio-economic modifications of the Universal Soil Loss Equation” by A. Erol et al.***

**A. Erol et al.**

aytenerol@sdu.edu.tr

Received and published: 15 July 2015

Here is my answers for Referee #1 comments and relevant short comments 1- Paraf in the lines 1-5 and page 1740, the sentence was mentioned that all the physical data. This sentence should be the topographic features and land use data of the study area were obtained using GIS and other data from previous studies (instead of past references) to evaluate the contributions of the socio-economic factors to the total annual erosion (A) and find a coefficient in USLE. In this case, “past references” should be used “previous studies” in the full text. Thus, the section of “2.2 Data from GIS and past references” should be corrected as “2.2 Data from GIS and previous studies”. We will use it (previous studies) in the sentence as follows; In the study, we determined using the required all data to estimate USLE, however, some data (K factor, R factor

Full Screen / Esc

Printer-friendly Version

Interactive Discussion

Discussion Paper



(Table 2 and 3), C factor, P factor (Tables 4 and 5)) were provided from previous studies (Doğan and Güçer, 1976; Arnoldus, 1977; Balçıs, 1996; Cebel et al., 2013).

If you accept this correction, it will be revised in all full text.

2- It will be discussed the effect of soil moisture because the WI and WII are mainly covered with forest, as you noted.

3-Figure 2 was plotted as flow diagram to clarify the different stages in the Table 8. Thus, one of tables were reduced. In addition, The number of tables will be also reduced as being joined some of them.

4- Introduction will be revised.

5- The paragraph in Material and Methods will be reviewed and revised as noted.

6- I think the page number should be 1741. If it is, they will be review.

7- You noted that Conclusions (see overall comments). It will be revised considering comments.

8- Tables will be joined as you mentioned. “past references” will be removed and used “previous studies” for that. Please let me know if it is will be accurate or not.

Please also note the supplement to this comment:

<http://www.solid-earth-discuss.net/7/C863/2015/sed-7-C863-2015-supplement.pdf>

Interactive comment on Solid Earth Discuss., 7, 1731, 2015.

Full Screen / Esc

Printer-friendly Version

Interactive Discussion

Discussion Paper



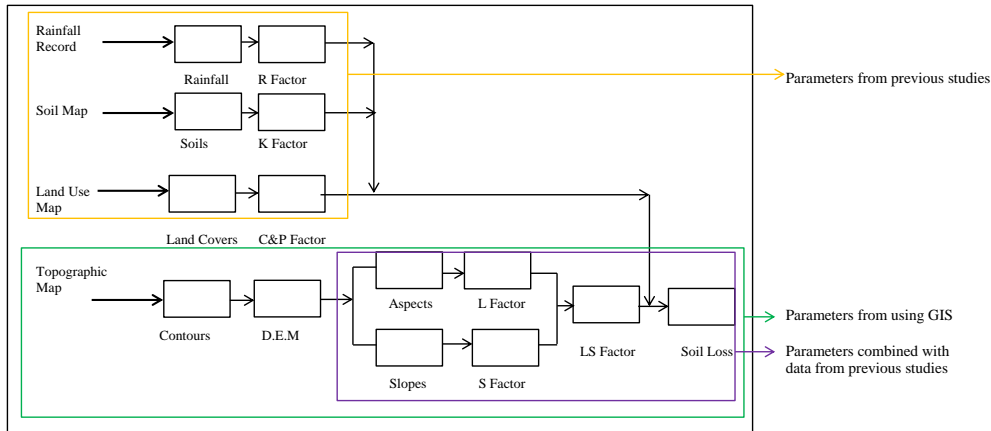


Figure 2. Steps to determination of USLE and soil loss estimation (adapted from Fistikoglu and Harmancıoğlu, 2002)

**Reference:**

Fistikoglu, O., Harmancıoğlu, N. B.: Integration of GIS with USLE in Assessment of Soil Erosion, Faculty of Engineering, Dokuz Eylul University, Izmir, Turkey, 2002

**Fig. 1.** It was drawn to explain which data or parameters used in the study

Full Screen / Esc

Printer-friendly Version

Interactive Discussion

Discussion Paper



Interactive Comment

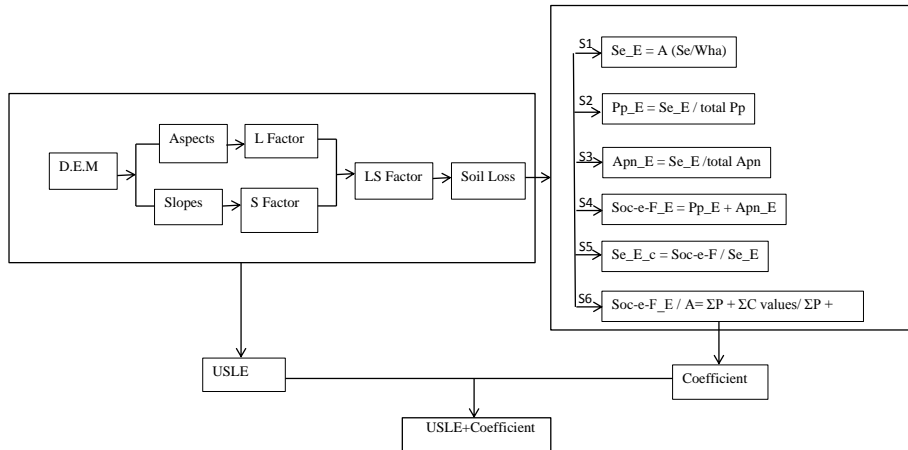


Figure 3. The factors of USLE estimated using GIS and working steps as mathematical processes to find a coefficient that contributed socio-economic factors as the number of people and animals

This flow chart will be used instead of Table 8

Fig. 2. I was drawn to revise the structure of Material and Method

Full Screen / Esc

Printer-friendly Version

Interactive Discussion

Discussion Paper

